

LEVEL & LEAK DETECTION

ULTRASONIC LEVEL TRANSMITTERS LU80/81/83/84 SERIES ECHOSPAN



FLOWLINE
We Do Your Level Best



DESCRIPTION

The Flowline EchoSpan LU80/81/83/84 Series ultrasonic level transmitter provides non-contact liquid level measurement up to 32.8' (10m), with an accuracy of $\pm 0.2\%$. Setup is fast and easy using the push button menu and LCD display. The LU80/81/83/84 Series features fail-safe intelligence with diagnostic feedback for easy troubleshooting. The electronics are housed in a rugged NEMA 4X enclosure—ideal for ultrapure, corrosive, waste, and slurry applications.

FEATURES

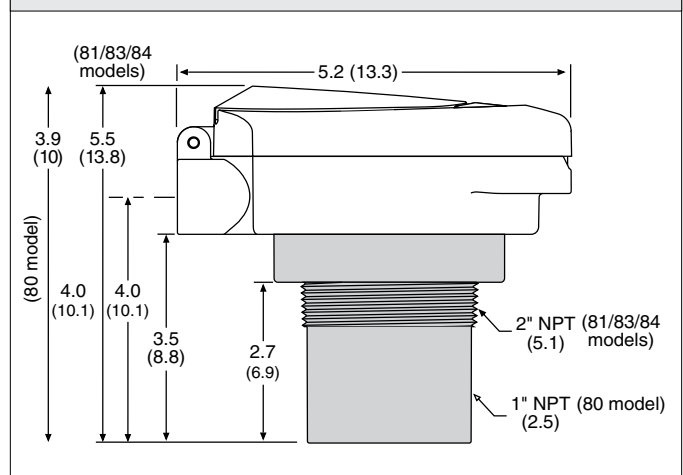
- 9.8', 18.0', 26.2', 32.8' (3, 5.5, 8, or 10m) ranges available
- Simple configuration
- Polycarbonate/ABS enclosure rated NEMA 4X (IP65)
- Fail-safe intelligence
- 3" (7.6 cm) beam diameter for applications with restricted space (LU81/83/84)
- Six segment LCD display indicates liquid level in inches or centimeters



LU80/81/83/84 Series

SPECIFICATIONS	
Supply Voltage	12-28 VDC
Signal Output	4-20 mA, two-wire @ 500 Ω
Memory	Non-volatile
Deadband	
LU80	4" (10 cm)
LU81/83	8" (20 cm)
LU84	12" (30 cm)
Accuracy	$\pm 0.2\%$ of span in air
Operating Pressure	30 psig (206.9 kPa)
Measurement Range	
LU80	4" to 9.8' (10 cm to 3m)
LU81	8" to 18.0' (20 cm to 5.5m)
LU83	8" to 26.2' (20 cm to 8m)
LU84	12" to 32.8' (30 cm to 10m)
Beam Width	
LU80	2" (5.0 cm)
LU81/83/84	3" (7.6 cm)
Fail Safe	Selectable: 4mA, 20 mA, 21 mA, 22 mA, or hold last signal
Temperature Compensation	Automatic
Operating Temperature	-7° to 140°F (-22° to 60°C)
Enclosure Rating	NEMA 4X (IP65)
Process Connection	
LU80	1" NPT
LU81/83/84	2" NPT
Approvals	CE, RoHS
Weight	
LU80	2.0 lbs (0.9 kg)
LU81/83/84	3.0 lbs (1.4 kg)
Warranty	1 year

DIMENSIONS



10

LEVEL & LEAK DETECTION

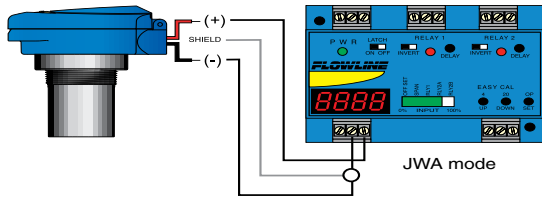


LEVEL & LEAK DETECTION

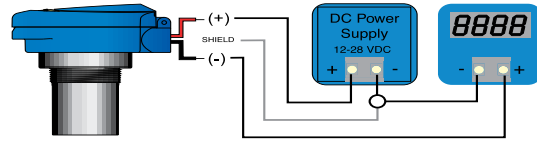
ULTRASONIC LEVEL TRANSMITTERS LU80/81/83/84 SERIES ECHOSPAN

WIRING

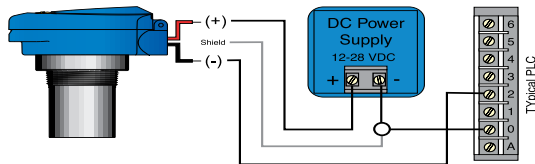
Wiring to a Flowline LC52-1001 Controller



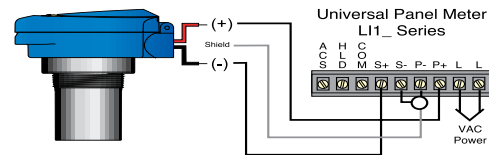
Wiring to a Typical Two-Wire Loop Powered Indicator



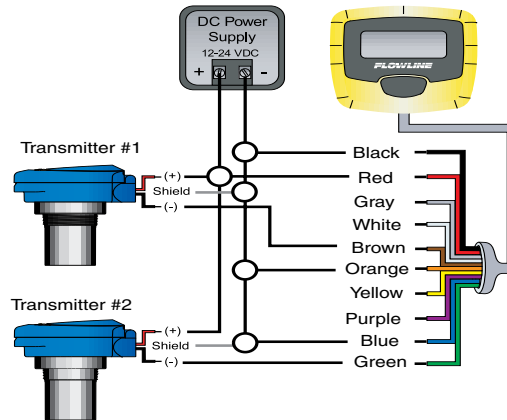
Wiring to a Typical Programmable Logic Controller



Wiring to a Flowline LI1_-1001 Universal Panel Meter



Wiring to a Flowline LI42-1001 MicroPoint Indicator



ORDERING INFORMATION

MODEL	DESCRIPTION
LU80-5101	Ultrasonic level transmitter, 9.8 ft (3m)
LU80-5101	Ultrasonic level transmitter, 9.8 ft (3m) with bracket
LU81-5101	Ultrasonic level transmitter, 18.0 ft (5.5m)
LU81-5101-B	Ultrasonic level transmitter, 18.0 ft (5.5m) with bracket
LU83-5101	Ultrasonic level transmitter, 26.2 ft (8m)
LU83-5101-B	Ultrasonic level transmitter, 26.2 ft (8m) with bracket
LU84-5101	Ultrasonic level transmitter, 32.8 ft (10m)
LU84-5101-B	Ultrasonic level transmitter, 32.8 ft (10m) with bracket

RELATED PRODUCTS

LM50-1001	2" Mounting bracket (included with "B" option)
LI99-1001	Fob calibration key
LM50-1001-1	1" Mounting bracket (included with "B" option)
LM52-1400	2" NPT x 1" NPT (Sch. 40) fitting
LM52-2400	3" NPT x 2" NPT (Sch. 40) fitting
LM52-2800	3" NPT x 2" NPT (Sch. 80) fitting
LM52-3800	4" NPT x 2" NPT (Sch. 80) fitting